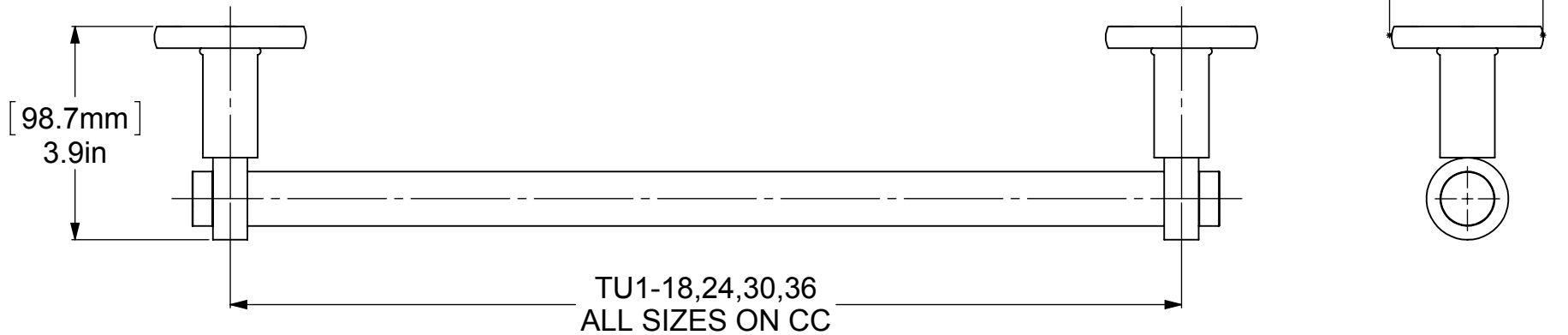
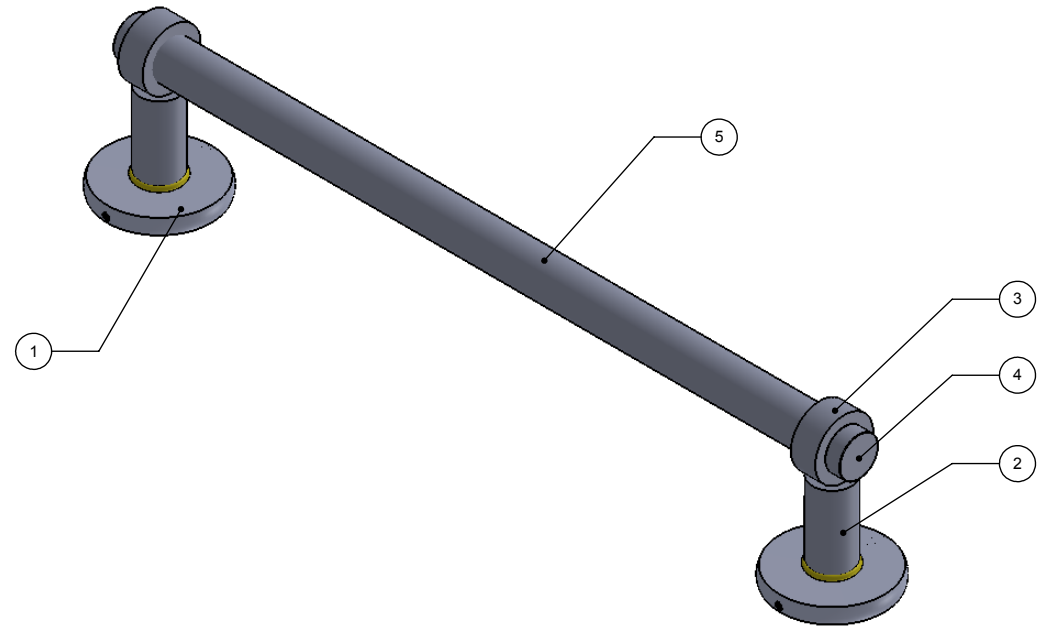


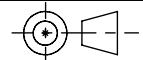
1	BPRD	BACKPLATE	2
2	TU1-2	SUPPORT	2
3	RGSMT	HUB	2
4	CARD-1	END CAP	2
5	TU1-18,24,30,36	TUBE	2



UNLESS OTHERWISE STATED

.X	$\pm .3\text{mm}$
.XX	$\pm .15\text{mm}$
.XXX	$\pm .008\text{mm}$

COPYRIGHT © Allied Brass 2016



THIRD ANGLE PROJECTION

DRAWN	12-15-2016	I.M	MATERIAL:	BRASS		FINISH	TBD
CHECKED	12-15-2016	P.D	DESCRIPTION:		QUANTITY	TBD	
APPROVED	12-15-2016	R.A	TOWEL BAR		DRAWING No.	REV	
					2051	0	
SCALE		1:3	SHEET: 01		A4		